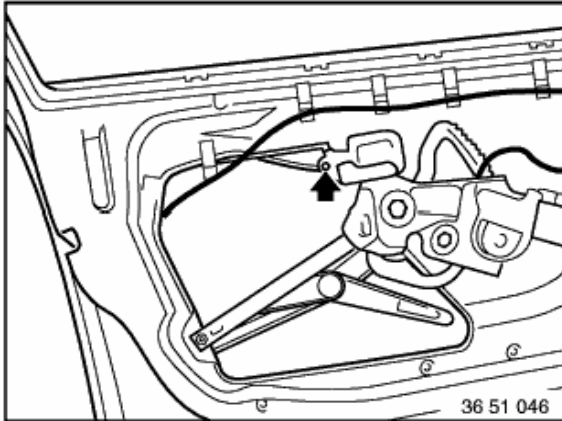
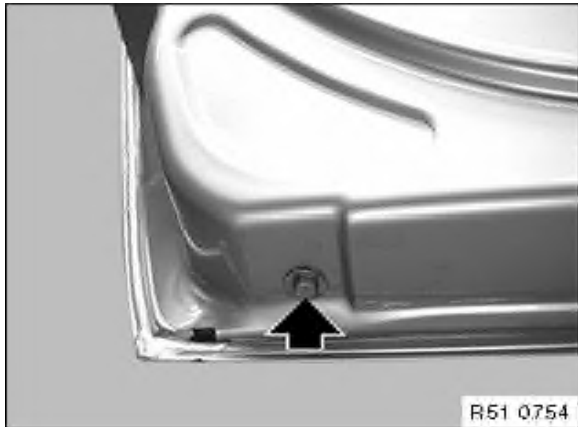


Removing front door window,
refer to 51 32 170

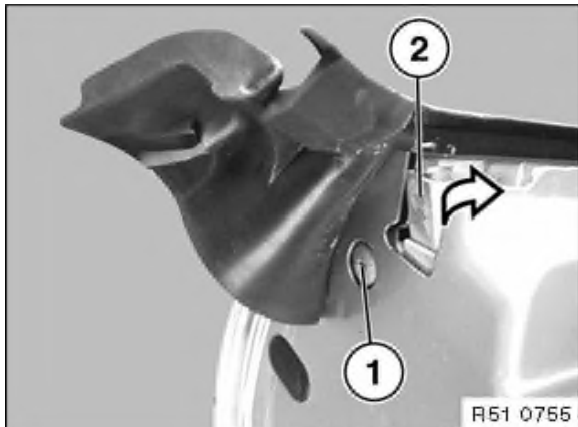
Unscrew bolt. Unhook door opener on linkage and remove.

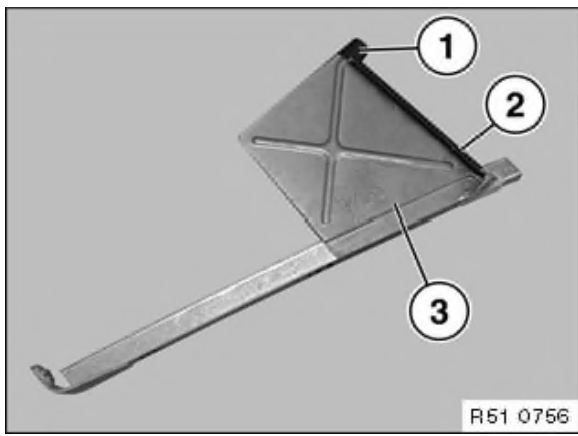


Unfasten lower screw on window guide rail.



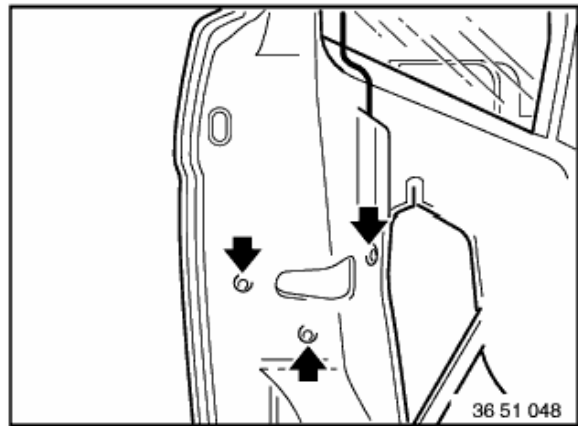
Unscrew bolt (1). Twist window guide rail (2) towards door hinge
and remove through aperture in metal panel.





Installation:

Fit mockets (1) and (2) to window guide rail (3).

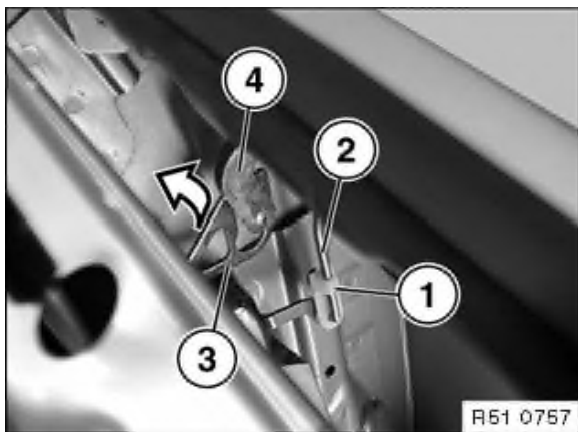


Unfasten screws.

Installation:

Install screws with Loctite 270 (Sourcing Reference: BMW Parts Service).

Tightening Torque, refer to Technical Data 51 21 1AZ



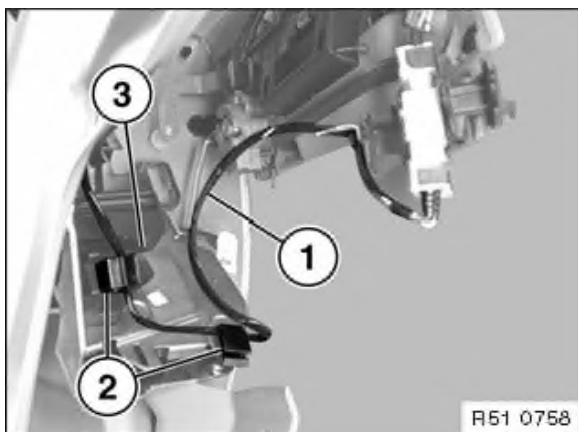
Unclip retainer (1) and lift out linkage (2).

Lift door lock (3) up slightly and disconnect linkage (4) from outside door handle.

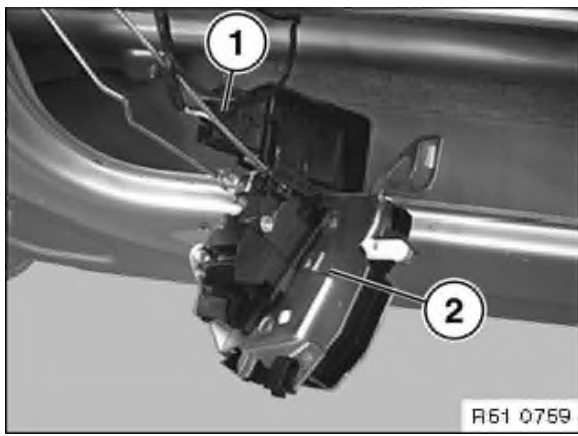
Remove door lock downwards.

Installation:

Insert frame for catch button through opening in inner door panel. Do not bend linkage.



Lift cable (1) out of brackets (2) on door lock (3).

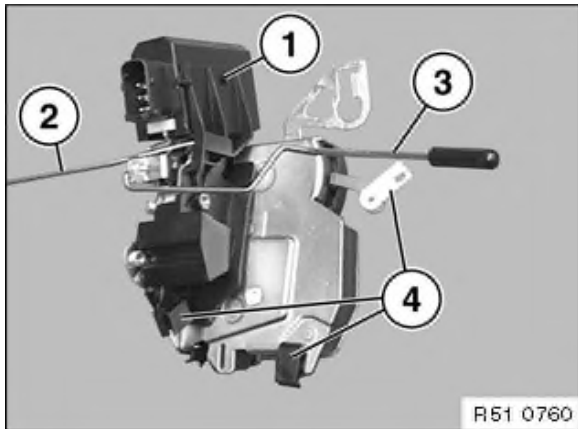


Unfasten connector (1) and remove door lock (2).



Note:

The operation "Removing lock from front door" ends here.



Only replacement (central locking drive):

Lift out lock and remove actuator drive (1) from central locking mechanism.

Installation:

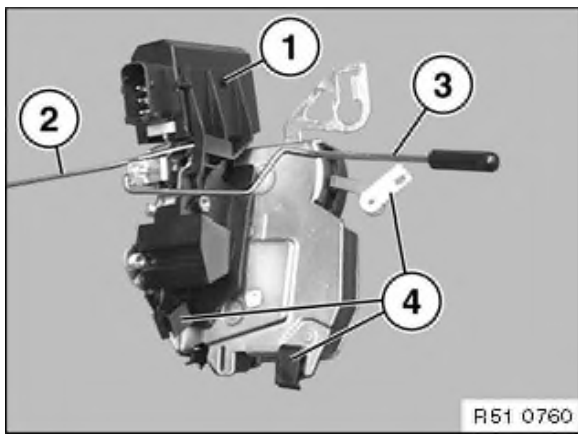
Check actuating rod (2), locking rod (3), clip and cable tie (4) for wear and replace if necessary.

Check function.



Note:

The operation "Replacing switch on front door" ends here.



Only replacement (door lock):

Lift out lock and remove actuator drive (1) from central locking mechanism.

Disconnect actuating rod (2) and locking rod (3). Replace clip and cable tie (4).

Installation:

Check function.